

NEW!
1.500 KG LIFTING CAPACITY
POWER ASSISTED STEERING



Winlet Lasius 1,5t

Winlet Lasius - with even more lifting capacity

We have upgraded our traditional Winlet Lasius with an impressive lifting capacity of up to **1.500 kg**. Besides optimizing on lifting capacity, we have also given the Winlet Lasius 1,5t more reach and maneuverability (power assisted steering).

This will give the traditional crane and handling solutions even more competition.

Winlet Lasius 1,5t is ideal for:

- Erecting steel beams and other building elements
- Glass and facade installation
- Machine assembly
- Repair work
- Packing of non-palletized goods in containers

As the traditional Winlet Lasius, the 1,5t version runs with a maximum permitted speed of 4.2 kph - double that of mini cranes on tracks for example, and neither does it need to be levelled by outrigger legs like most mini cranes.

Because the Winlet Lasius 1,5t is battery-powered and therefore does not emit harmful exhaust gases, it can be used indoors with no environmental problems.

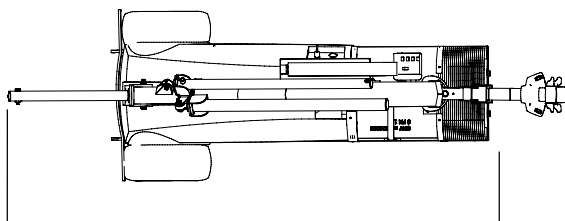
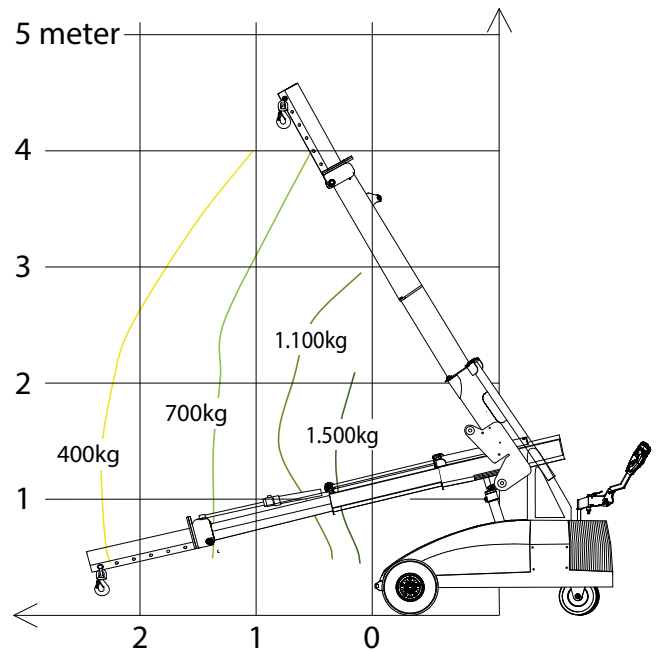


Winlet Lasius 1,5t

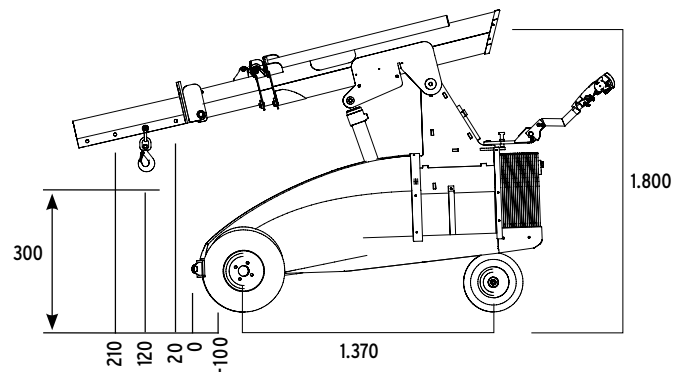
SPECIFICATIONS*

EXTERNAL LENGTH	2.420 MM
EXTERNAL WIDTH	880 MM
MAX LIFTING CAPACITY	1.500 KG
MAX LIFTING HEIGHT	4.240 MM
MAX SPEED	0-4.2 KPH
TOTAL WEIGHT excl. counterweights	1.082 KG
TOTAL WEIGHT incl. counterweights	1.535 KG
BATTERIES	2 x 150 AH
OPERATING HOURS - On fully charged batteries	12 HOURS
CHARGING TIME	8-10 HOURS

LIFTING DIAGRAM MAX. LOAD 1.500 KG



2420

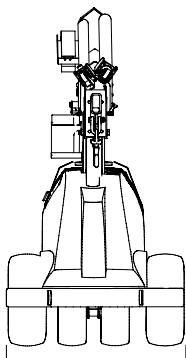


1.800

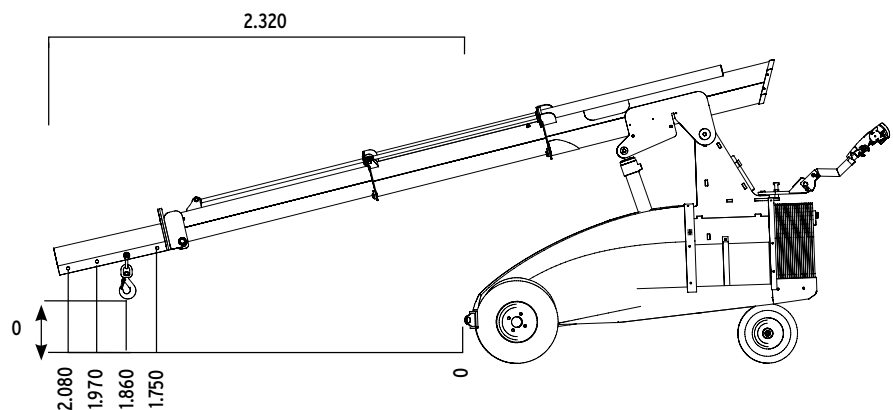
300

210
120
20
-100

1.370



880



2.320

0

2.080
1.970
1.860
1.750

0

* The dimensions are indicative and may vary +/- 10mm. The photographs and/or drawings in this document are for illustrative purposes only.